

Selected Colorsteel longrun roofing iron, on self supporting underlay, on 75x50 H3.1 tan. purlins @ 900 crs., on 90x45 H3.1 tan. veranda rafters @ 600 crs.

Timber fascia with selected exterior guttering.

4.5mm Hardiflex soffits.

240x90 H3.2 tan. veranda beam fixed to 90# H3.2 tan. posts with Bowmac B85 galv. brackets with M12 dia. galv. bolts and washers.

Aluminium joinery - Double glazed N.B. Refer to spec. for head, jamb and Sill details.

Hardies w/bd & Hardies Titan Bd. exterior cladding on 20mm vented cavity, over building paper on 90x45 H1.2 tan. wall framing @ 600 crs., with 10mm Gib bd. internal wall lining. R2.2 wall insulation.

Selected Colorsteel longrun roofing iron, on self supporting underlay, on 75x50 H3.1 tan. purlins @ 900 crs., on 240x45 H3.1 tan. Hyne Edgebeam rafters @ 600 crs.

R 3.2 ceiling insulation.

Hardies Villa bd. lining on 35mm ceiling battens @ 600crs.

100 mm thick reinf.conc. floor slab reinf. with 1 layer 665 mesh (30 mm top cover.) on d.p.c.

Note: 140x45 studs @ 400 crs.

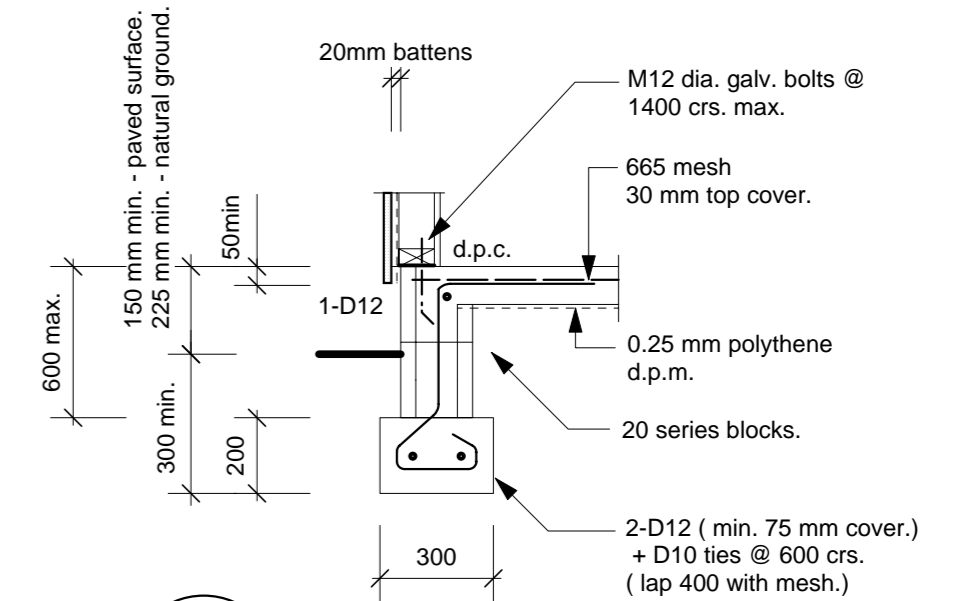
Note: Provide appropriate cap and saddle flashings to top of parapet and wall junctions as per E2 / AS1.

Note: 300mm wide x 70mm deep purpose made internal gutter with D.P. cancelled in column. Provide 75mm over flow at end of gutter as shown.

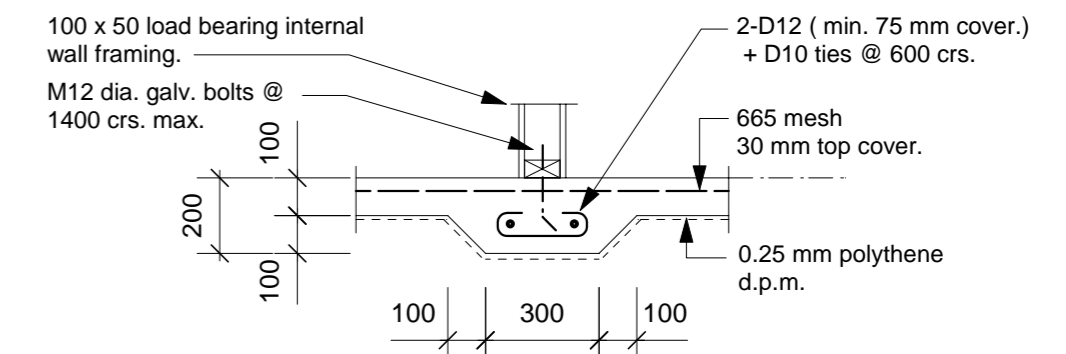
100mm dia. pvc downpipe encased in H3.1 tan. 90x45 framed column, 400mm #, clad with Haries Linea W/Bd. on 20mm vented cavity on building paper.

Entry Column: 390x390 20 series masonry plinth on 500# x 300 deep conc. footing reinf. with 3-D12 EW. (75mm bott. cover.)

Hardies Linea w/bd. / Titan bd. on 20mm vented cavity over building paper on 90 x 45 H1.2 tan. wall framing
10mm GIB bd. interior lining



1 EXTERIOR LOAD BEARING WALL FOOTING DETAIL FOR 100 KPa SOILS.



2 INTERNAL LOAD BEARING WALL FOOTING DETAIL FOR 100 KPa SOILS.

SECTION A-A

Selected Colorsteel longrun roofing iron, on self supporting underlay, on 75x50 H1.2 tan. purlins @ 900 crs., on approved gangnail roof trusses @ 900 crs.

Selected Colorsteel longrun roofing iron, on self supporting underlay, on 75x50 H3.1 tan. purlins @ 900 crs., on 240x45 H3.1 tan. Hyne Edgebeam rafters @ 900 crs. 90x45 H3.1 tan. eaves outriggers @ 900 crs.

Timber fascia with selected exterior guttering.

4.5mm Hardiflex soffits.

Aluminium joinery - Double glazed N.B. Refer to spec. for head, jamb and Sill details.

Hardies w/bd & Hardies Titan Bd. exterior cladding on 20mm vented cavity, over building paper on 90x45 H1.2 tan. wall framing @ 600 crs., with 10mm Gib bd. internal wall lining. R2.2 wall insulation.

Hardies Villa bd. ceiling lining on 35mm ceiling battens @ 600crs.
R 3.2 ceiling insulation.

100 mm thick reinf.conc. floor slab reinf. with 1 layer 665 mesh (30 mm top cover.) on d.p.c.

R 3.2 ceiling insulation.
13mm GIB ceiling lining on 35mm ceiling battens @ 600crs.

18mm plywood flooring on HI 300 70 HYNE I-Beam continuous floor joists @ 400 crs.

Note: 2/360x45 Hyspan or 360x85 Hynebeam 17C supported on 3/100x50 studs each end.

Stairs: 16x280 treads 16 equal risers (approx. 180mm)

12° 30'

10°

Selected Colorsteel longrun roofing iron, on self supporting underlay, on 75x50 H1.2 tan. purlins @ 900 crs., on approved gangnail roof trusses @ 900 crs.

13mm GIB ceiling lining on 35mm ceiling battens @ 600crs.

100 mm thick reinf.conc. floor slab reinf. with 1 layer 665 mesh (30 mm top cover.) on d.p.c.

Don Cowie
Draughting &
Design Services Ltd
N.Z.C.E.

20 Waimarie Street Hamilton
Ph. 07 847 8864 Mobile 025 6041 392
Email: dcowie_design@hotmail.com

PROPOSED NEW HOUSE FOR JAKES CONSTRUCTION LTD
AT LOT 4, DP 404306, 99A Highbrook Way

A 8/10/08 Entry column details added.
REVISION: DATE: REVISION NOTE:

SECTIONS A & B				
DRAWN	CHECKED	DATE	SCALE	JOB No.
S. Fowler	D. Cowie	October 2008	1:50 : 1:20	820

DWG No. **6**
 A REV
 OF 9